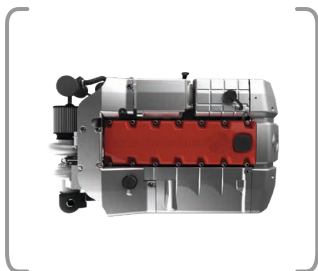


# SE 6-CYLINDER MARINE ENGINES

## FACTS

- Power range: 88 - 215 kW
- Displacement: 3.2 lt
- Dry weight: 340 kg



The SE 6-cylinder engine series of Steyr Motors has a vast application potential as well as a huge variety of options to individualize the engines. With a remarkable power to weight ratio and a most compact design, the engines of this series are all-rounders on the global commercial and leisure market. Due to its excellent torque and speed range, the still growing SE 6-cylinder series masters all challenges with ease.

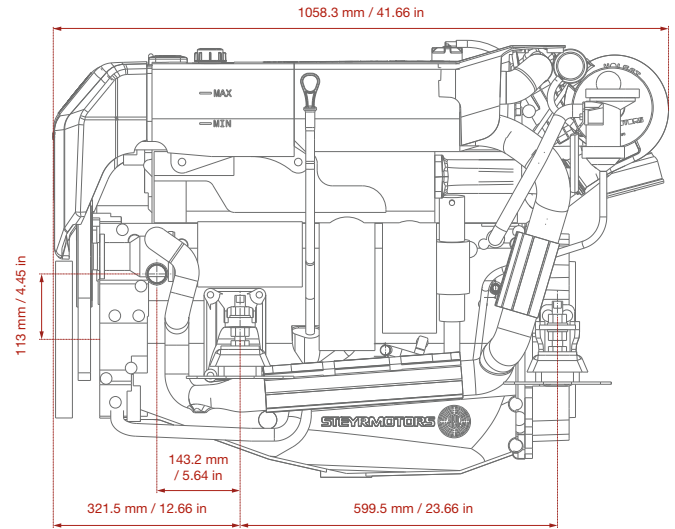
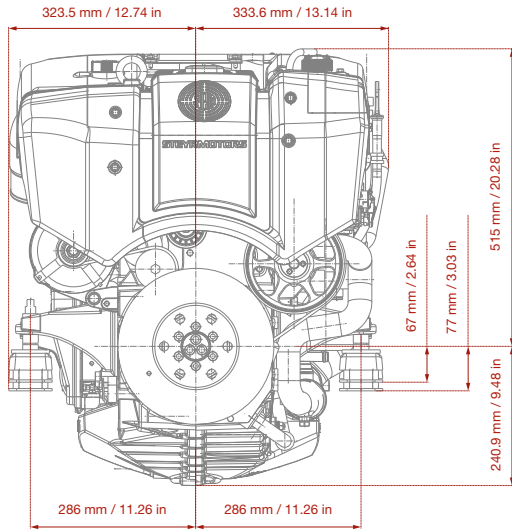
## MAIN FEATURES

- Perfectly suited for commercial and leisure applications
- Dual circuit cooling system with corrosion resistant materials
- Excellent performance and highest durability
- Compact and lightweight design
- SOLAS approved, EPA Tier III certified and RCD Compliant
- Stage V certified for engines under 130 kW
- Different propulsion systems can be installed
- Sterndrive packages with Bravo One, Two and Three available
- Various accessory and installation options & kits available, e.g. fuel density kit, additional alternators, AC compressor, preparation for keel cooling, Marex ECS, SCC 2 etc.



See more applications on our website or contact us for further references.

# SE 6-CYLINDER SPECIFICATION



	SE126E32	SE156E34	SE186E38	SE236E40	SE236S36	SE266E40	SE266S36	SE286E40	SE306J38
<b>RATED POWER (KW/HP)</b>	88/120	113/154	129/175	170/231	170/231	190/258	190/258	205/279	215/292
<b>RATED SPEED (RPM)</b>	3200	3400	3800	4000	3600	4000	3600	4000	3800
<b>MAX. TORQUE (NM @ RPM)</b>	330 @ 2050	400 @ 2300	420 @ 2300	470 @ 2550	540 @ 1800	530 @ 2550	600 @ 1800	570 @ 2550	588 @ 3300
<b>DRY WEIGHT (KG)</b>	340	340	340	340	340	340	340	340	340
<b>RATING<sup>o</sup></b>	PL, HO, INT, MCD	PL, HO, INT, MCD	PL, HO, INT, MCD	PL, HO, INT	PL, HO	PL, HO, INT	PL, HO	PL, HO	PL, HO
<b>PROPULSION SYSTEMS</b>	T	T	T	T	T	T	T	T	
T TRANSMISSION	S	S	S	S	S	S	S	S	
S STEERDRIVE	J	J	J	J	J	J	J	J	J
J WATER JET									

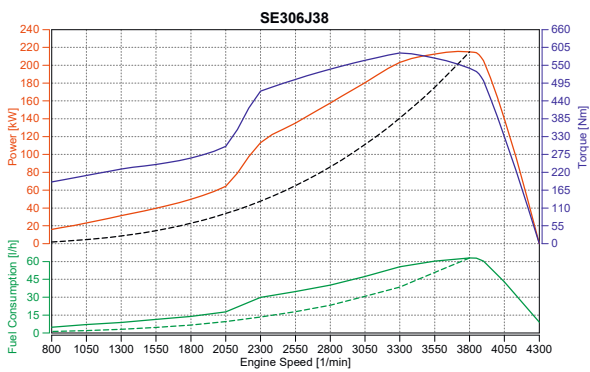
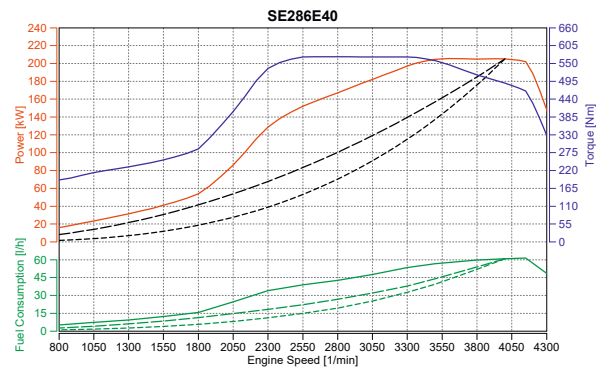
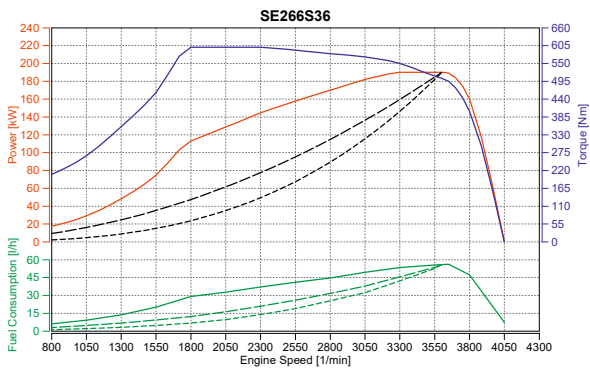
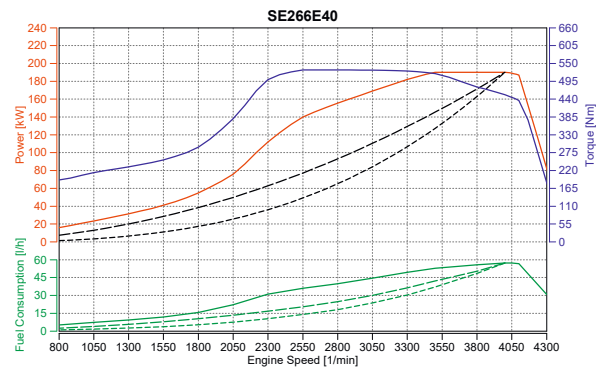
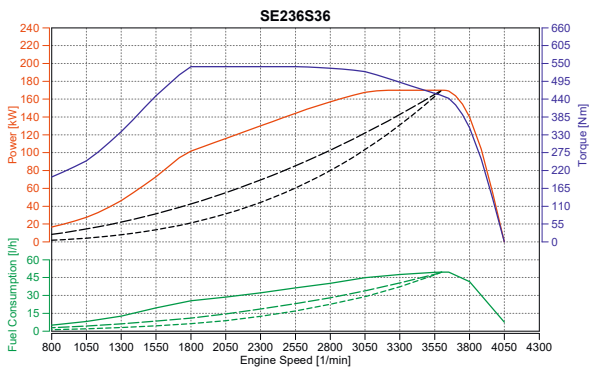
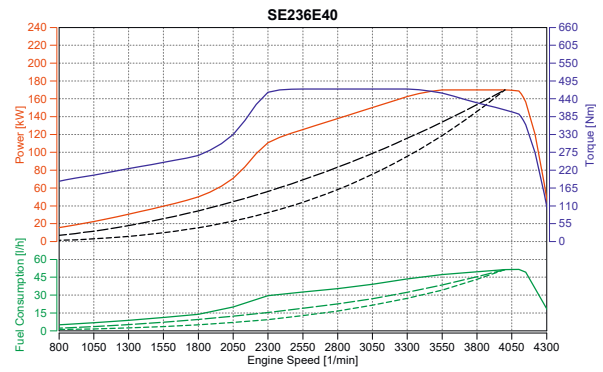
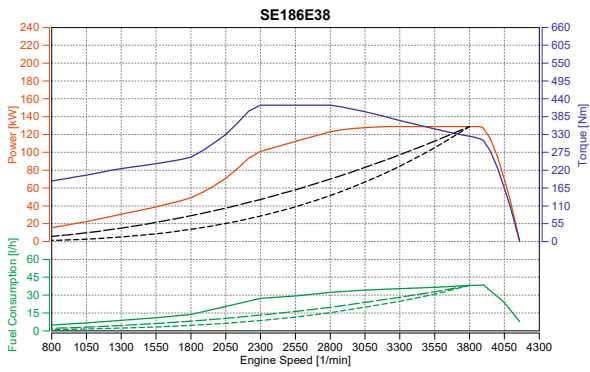
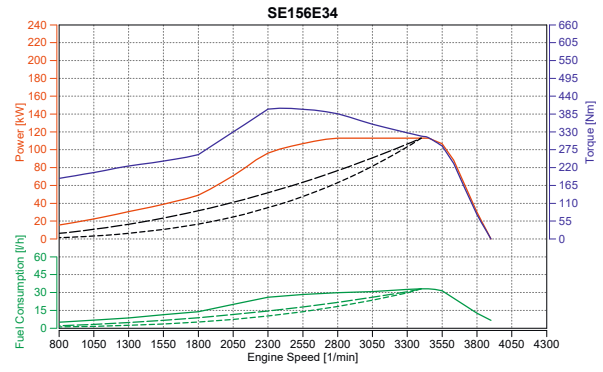
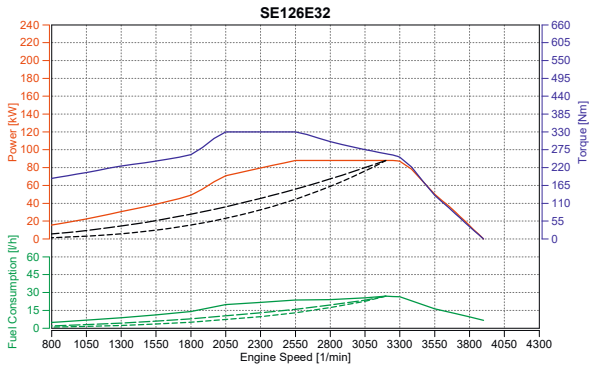
<sup>o</sup> Ratings:

PL – Pleasure (max. 300 hours/year)  
 HO – High Output (max. 300 hours/year)  
 INT – Intermittent Duty (max. 1500 hours/year)  
 MCD – Medium Continuous Duty (max. 3000 hours/year)

find detailed specification to Ratings in STEYR MOTORS Limited Engine Warranty Conditions

## OVERALL CHARACTERISTICS

- Direct injection Diesel engines
- 4-stroke, turbocharged
- 3.2 lt displacement
- 85 mm bore, 94 mm stroke
- Dual circuit cooling / Internal & Fresh water cooling
- CAN bus J1939



— Power  
— Torque  
- - - Prop³ Power  
— FLC Fuel Consumption  
- - - Prop³ Fuel Consumption

Performance: \*according ISO 8665 Standard

# MARINE ENGINES



The details and related materials provided in this brochure are subject to change without prior notice. We reserve the right to revise specifications and design as well as to correct misprints and errors. Actual products may differ in appearance from images shown. Dimensions given within this brochure are in mm. They may differ according to engine types and are not applicable for installations.