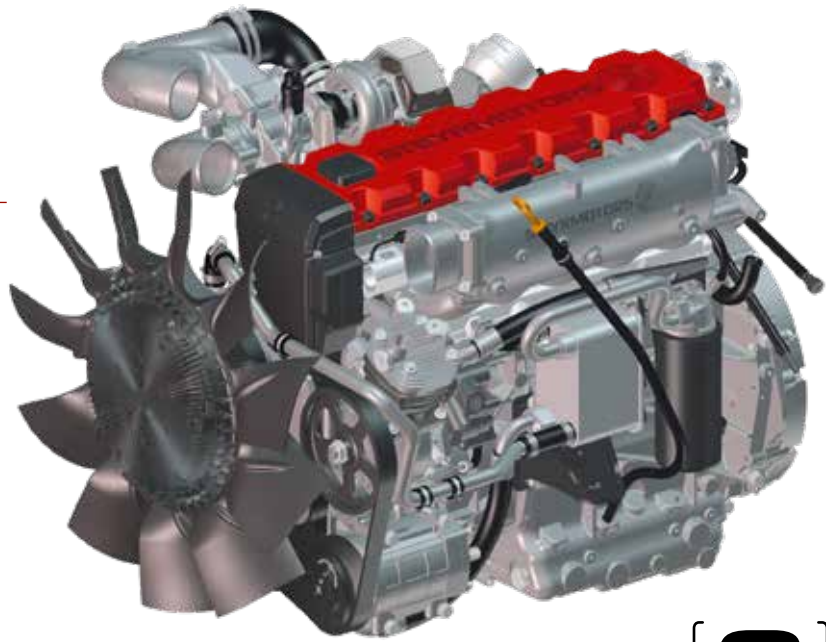


M16 SCI, 200 kW VEHICLE ENGINES

FACTS

- Rated power: 200 kW
- Torque: up to 610 Nm @ 1550 rpm
- Dry weight: 280 kg



The M16 UI is the star of our product portfolio due to its vast field of application and its well-developed concept facilitating adaptations to customize the unit injection engine for individual requirements. The 6-cylinder diesel engine is available in several basic models with a wide variety of engine components such as oil sumps, front-end accessory drives and transmission flanges.

MAIN FEATURES

- Monoblock design with excellent water cooling
- 2-stage - sequentially charged intercooled
- Direct intercooling
- Standard operational range:
from -32°C to +49°C, extended operational range possible
- Released fuel types:
EN590, Jet A-1 (NATO code F-35) other fuel types on request
respectively according to customer specification
- Remarkable power to weight ratio, compact design
- High robustness and durability
- Outstanding performance in high altitudes



See more applications on our website or contact us for further references.

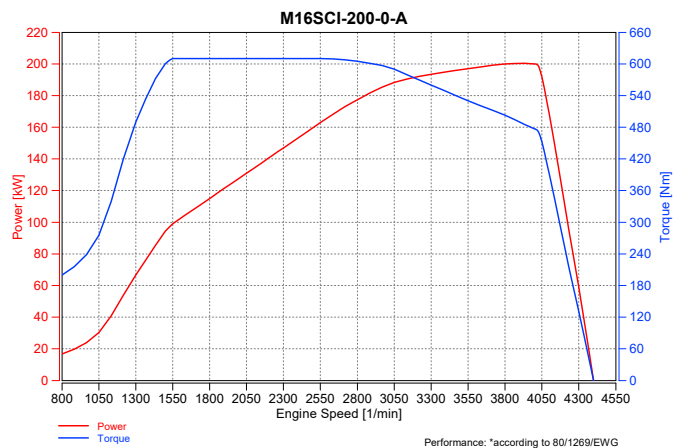
M16 SCI, 200 kW SPECIFICATION

M16 SCI – 200-0-A 200 KW MODEL	
COMBUSTION SYSTEM	Direct Injection Diesel
DISPLACEMENT (LT)	3,2
BORE (MM)	85
STROKE (MM)	94
CHARGING SYSTEM	2-stage - sequentially charged intercooled
RATED POWER (KW/HP)*	200 / 272
RATED SPEED (RPM)	4000
MAX. TORQUE (NM @ RPM)*	610 @ 1550
MIN. FUEL CONSUMPTION (G/KWH)*	205
DRY WEIGHT (KG)	280

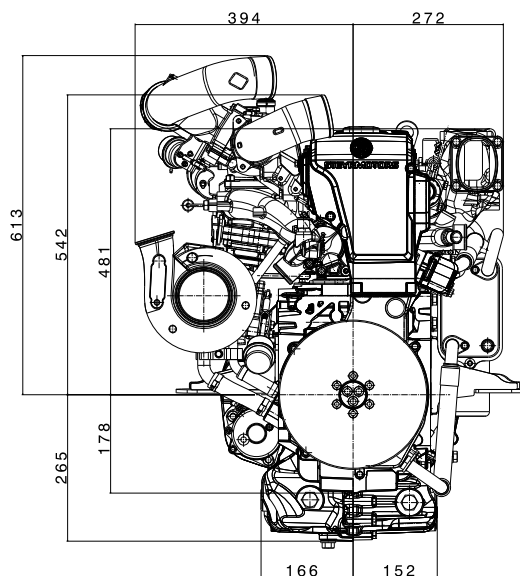
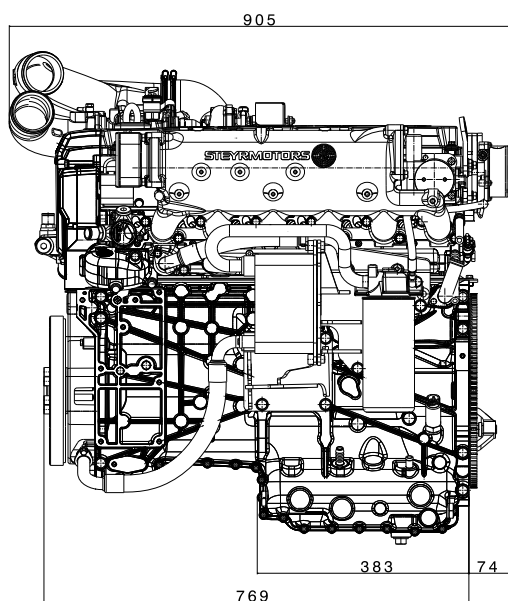
* based on Diesel EN 590

OVERALL CHARACTERISTICS

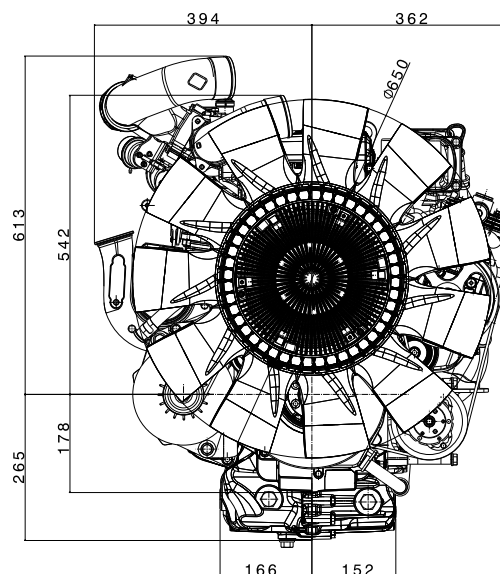
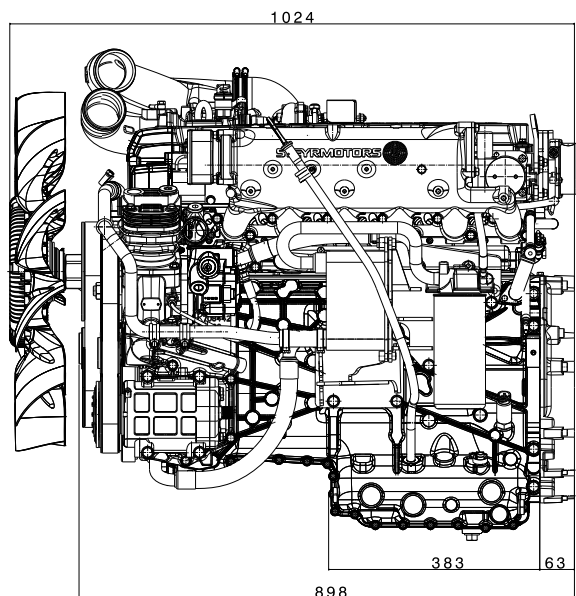
- 4-stroke, turbocharged
- Perfectly suited for customizing to your specific requirements



M16 SCI, 200 kW DIMENSIONS



Standard base engine for vertical installation with full flexibility for customer specific FEAD and transmission interface. Deep Fording and EMC mil.461-E upgrade potential.



Standard base engine for vertical installation with full equipped FEAD and transmission interface for ZF8HP90 or Allison S 1000/S 2000/S 2500 series.
Deep Fording and EMC mil.461-E upgrade potential.

FEAD aggregates:

Alternator 28V-100A and 28 V -275 A

air compressor 150 ccm 10 bar

hydr. pump 17 cm³/rev 16l/min 183 bar

AC compressor 200 cm³ visco fan Ø600 (electric controlled)

VEHICLE ENGINES



The details and related materials provided in this brochure are subject to change without prior notice. We reserve the right to revise specifications and design as well as to correct misprints and errors. Actual products may differ in appearance from images shown. Dimensions given within this brochure are in mm. They may differ according to engine types and are not applicable for installations.